

GENERAL ACCESSORIES

Application

LED light fixture is designed to provide interior lighting for an enclosure. Can be mounted to light channels in the top of an enclosure or on the front flange of most enclosures.

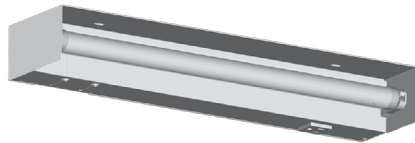
Construction

- Door activated adjustable switch. Switch can be removed and relocated.
- Terminal block on each end of fixture, making it easy to wire and daisy chain multiple lights continuously.
- LED bulb with PVC frosted white protective light diffuser included.
- Housing made from steel and powder coated white.
- Units with convenience receptacle outlet are 120 VAC with ground 50/60 Hz. Without convenience receptacle outlet 100 to 240 VAC 50/60 Hz.
- 4000K Frosted White
- 18 inch 750 Lumens
- 24 inch 900 Lumens
- 18 inch 24VDC 500 Lumens

IS24 Industry Standards
UL Component Recognized

LED LIGHT FIXTURE

Catalog No.		Height (A)	Width (B)	Depth (C)	AMP	VAC	Hz	Product Code
SCE-LF18		2.75	18.18	4.00	0.105	100-125	50/60	P2
SCE-LF24		2.75	24.18	4.00	0.105	100-125	50/60	P2
SCE-LF18NO	(No Outlet)	2.75	18.18	4.00	0.105	100-240	50/60	P2
SCE-LF24NO	(No Outlet)	2.75	24.18	4.00	0.105	100-240	50/60	P2
SCE-LF1824VDC	(No Outlet)	2.75	18.18	4.00	0.3	24VDC	-----	P2

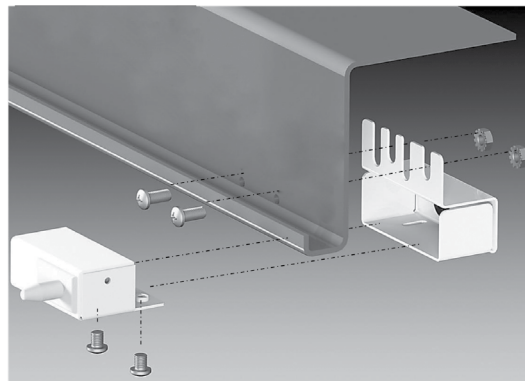


LIGHT SWITCH MOUNTING BRACKET

Designed to remote mount the door activated light switch when space is limited. Light Switch Mounting Bracket may be used with SCE-LF18, SCE-LF18NO, SCE-LF24 & SCE-LF24NO. For installation information, consult our installation manual at www.saginawcontrol.com.

IS24 - Industry Standards -
UL Component Recognized

Catalog No.	Height (A)	Width (B)	Depth (C)	Product Code
SCE-LSMB	2.00	2.68	1.00	P2



FULL LIGHT SWITCH ASSEMBLY

Designed to remote mount the light switch when space is limited.

Catalog No.	Product Code
SCE-LSA	P2



GENERAL ACCESSORIES

LED STRIP LIGHT

Catalog No.	Description	Height (A)	Width (B)	Depth (C)	Volt AC/DC	Hz	Product Code
SCE-SLMS	w/ Motion Sensor	13.80	1.38	1.25	24-265	50/60	P2
SCE-SLOF	w/ On/Off Switch	13.80	1.38	1.25	24-265	50/60	P2

Catalog No.	Description	Height (A)	Width (B)	Depth (C)	Volt AC	Hz	Product Code
SCE-SLMS700	LED w/ Motion Sensor 700 Lumens	13.80	1.38	1.25	100-230V	50/60	P2
SCE-SLOF700	LED w/ On/Off Switch 700 Lumens	13.80	1.38	1.25	100-230V	50/60	P2



Application

LED Strip Lights have a compact design to provide interior lighting for smaller enclosures.

Construction

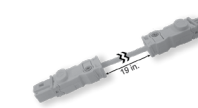
- Magnets provided for quick installation to any surface inside the enclosure, also provided with clips that can be mechanically fastened.
- Wire connector for direct power supply wiring.
- Feed in / feed out push fit connector on each end of fixture.
- Daisy chain multiple lights continuously up to 16 lights AC or 8 lights DC.
- AC/DC combined voltage or AC voltage available.
- ON/OFF switch or motion sensor available
- 6500K Cool White
- 400 or 700 Lumens available

IS24 Industry Standards
UL Component Recognized

Catalog No.	Description	Length	Product Code
SCE-SLCC	LED Strip Light Connection Cord	118 inch	P2
SCE-SLDCC39	LED Strip Light Daisy Chain Cord	39 Inch	P2
SCE-SLDCC	LED Strip Light Daisy Chain Cord	19 inch	P2



SCE-SLCC



SCE-SLDCC/39